

# SPECIFICATION SHEET

**COLLECTION:**

**PRODUCT CODE:** XSH-LUXSHATTAF/SB-CP



**DESCRIPTION:**

luxury brass shattaf handset  
with 150cm hose and wall bracket  
wall mounted  
minimum operating pressure 1.0 bar MP

**FINISH:**

Chrome

**FLOW REGULATOR:**

FR-SHOWER/9-C/P

**MINIMUM OPERATING PRESSURE:**

1.0 bar MP



tel: 01934 744466  
email: sales@vado.com  
www.vado.com

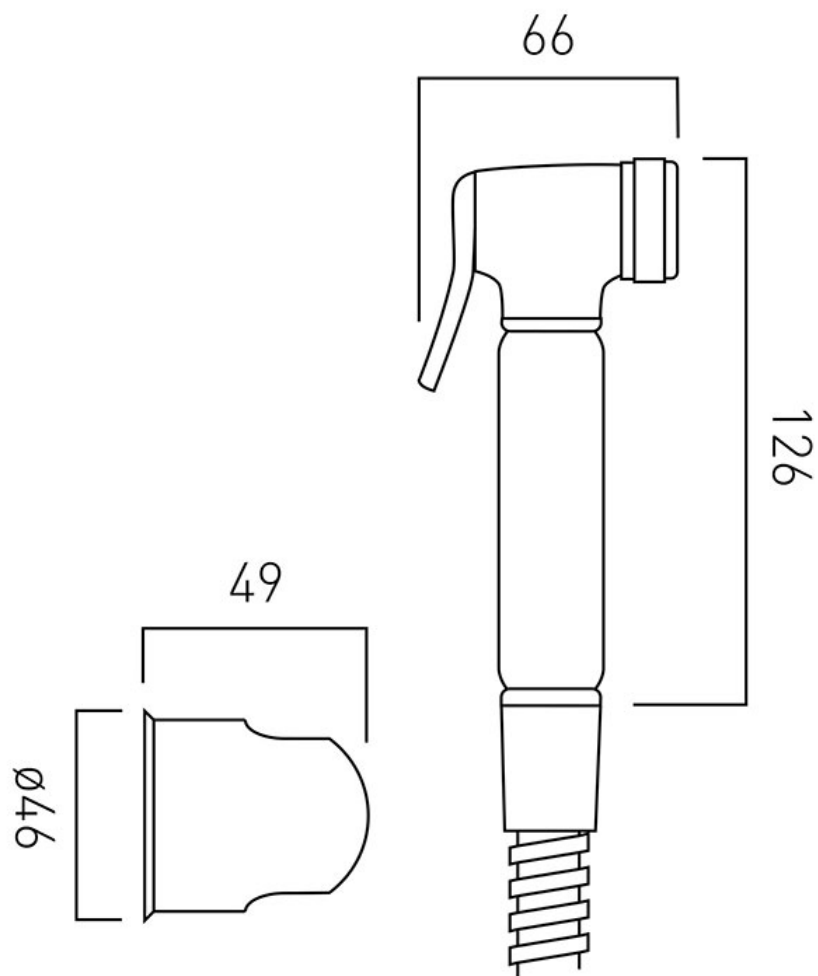
**where inspiration flows**  
taps | showering | accessories



# TECHNICAL DRAWING

**COLLECTION:**

**PRODUCT CODE:** XSH-LUXSHATTAF/SB-CP



tel: 01934 744466  
email: sales@vado.com  
www.vado.com

**where inspiration flows**  
taps | showering | accessories

