

# SPECIFICATION SHEET

## COLLECTION:

PRODUCT CODE: WG-MFKIT2-C/P



## DESCRIPTION:

5 function fixed shower head  
and shower arm  
wall mounted  
102mm (4") diameter  
minimum operating pressure 1.0 bar MP

## FINISH:

Chrome

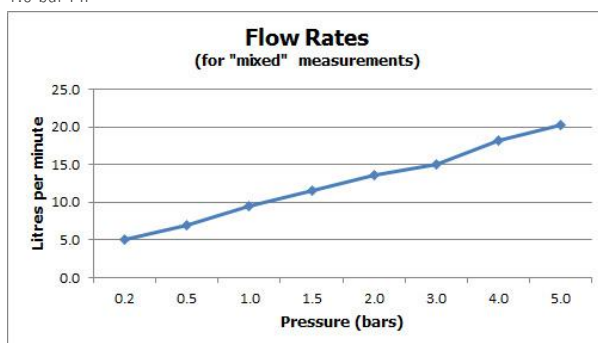
## FLOW REGULATOR:

FR-SHOWER/9-C/P

## MINIMUM OPERATING PRESSURE:

1.0 bar MP

15  
year guarantee



tel: 01934 744466  
email: sales@vado.com  
www.vado.com

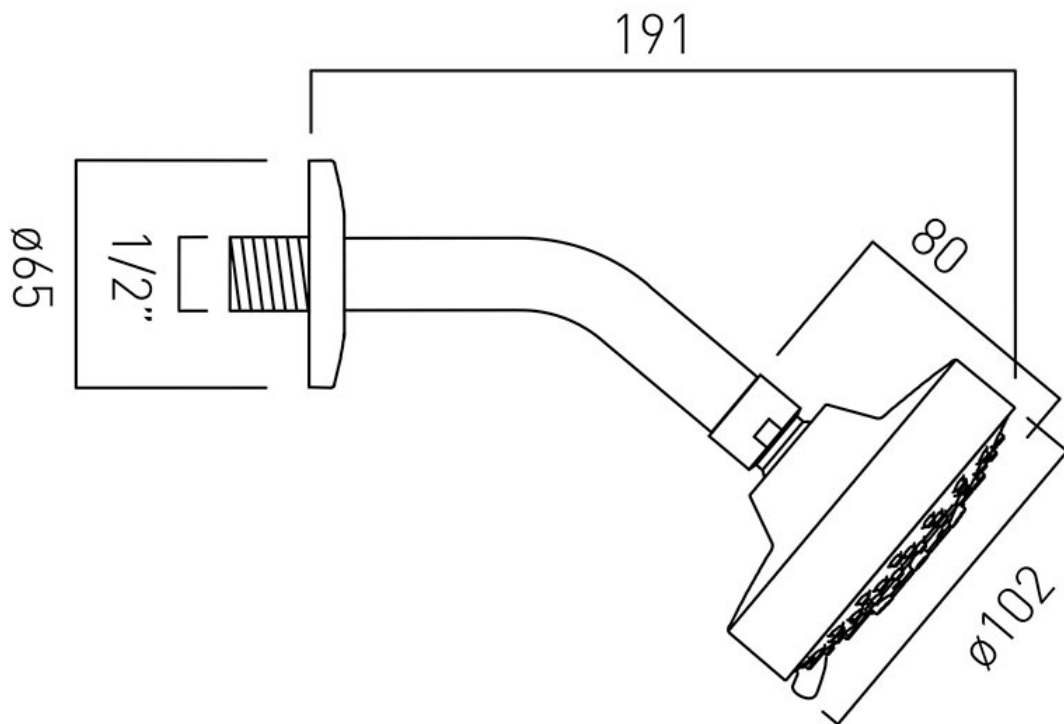
where inspiration flows  
taps | showering | accessories



# TECHNICAL DRAWING

COLLECTION:

PRODUCT CODE: WG-MFKIT2-C/P



tel: 01934 744466  
email: sales@vado.com  
www.vado.com

**where inspiration flows**  
taps | showering | accessories

