

# SPECIFICATION SHEET

**COLLECTION:** WASTES

**PRODUCT CODE:** PEX-392-S-C/P



**DESCRIPTION:**

slotted captive basin waste  
flip top waste  
1.1/4" x 10mm threaded connections

**FINISH:**

Chrome

**FLOW REGULATOR:**

N



tel: 01934 744466  
email: sales@vado.com  
www.vado.com

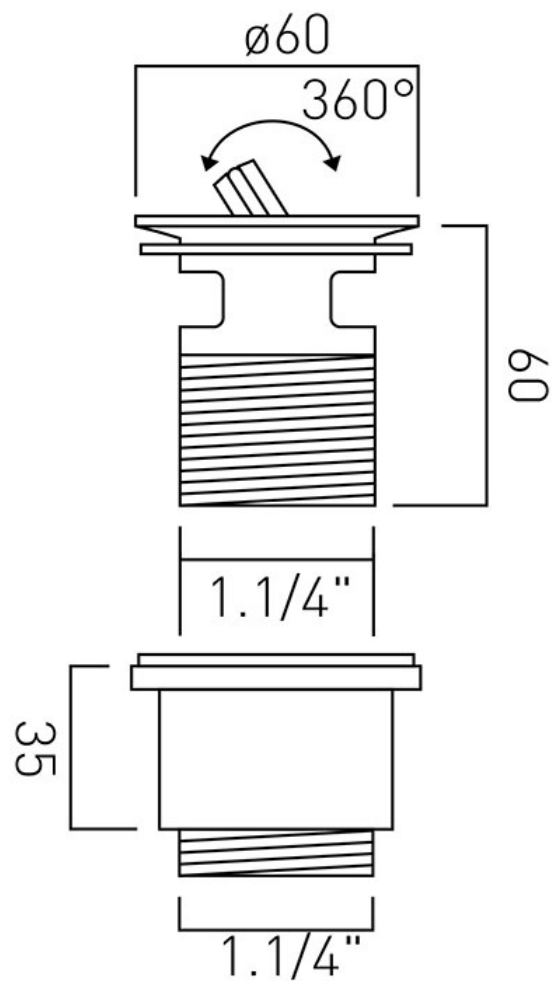
**where inspiration flows**  
taps | showering | accessories



# TECHNICAL DRAWING

**COLLECTION:** WASTES

**PRODUCT CODE:** PEX-392-S-C/P



tel: 01934 744466  
email: sales@vado.com  
www.vado.com

**where inspiration flows**  
taps | showering | accessories

