

.....

# SPECIFICATION SHEET

COLLECTION: NURI

PRODUCT CODE: AX-NUR-149/RRK-CP



## DESCRIPTION:

single lever  
round exposed shower valve with integrated diverter  
height adjustable rigid riser with single function shower handset  
254mm round shower head  
ceramic cartridge C-003-N35  
minimum operating pressure 1.0 bar MP

## FINISH:

Chrome

## MINIMUM OPERATING PRESSURE:

1.0 bar MP



## CONTACT

SALES: 01934 744466

AFTERSALES: 01934 745163

EMAIL: SALES@VADO.COM

WWW.VADO.COM/AXCES

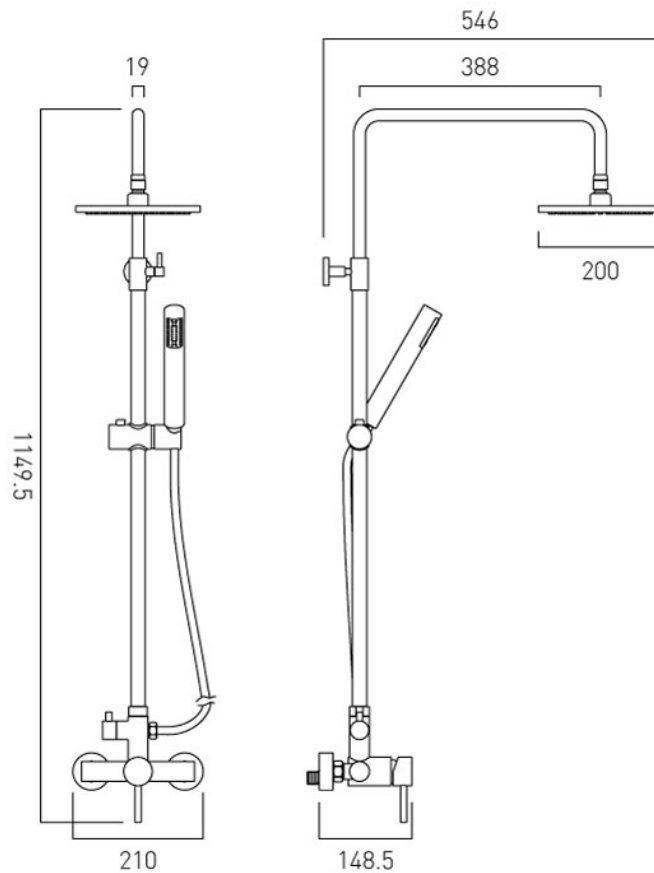
AXCES  
by VADO

.....

# TECHNICAL DRAWING

COLLECTION: NURI

PRODUCT CODE: AX-NUR-149/RRK-CP



## CONTACT

SALES: 01934 744466

AFTERSALES: 01934 745163

EMAIL: SALES@VADO.COM

WWW.VADO.COM/AXCES

AXCES  
by VADO