

.....

SPECIFICATION SHEET

COLLECTION: VALA
PRODUCT CODE: AX-VAL-149-CP



DESCRIPTION:

exposed manual shower valve
single lever
wall mounted
ceramic cartridge W-002-N35
2 x 1/2" inlets
1 x 1/2" shower outlet
minimum operating pressure 0.2 bar
LP

FINISH:

Chrome

MINIMUM OPERATING PRESSURE:

0.2 bar LP

FLOW RATE AT 3.0 BAR FLOW PRESSURE:

11.13 l/min



CONTACT

SALES: 01934 744466

AFTERSALES: 01934 745163

EMAIL: SALES@VADO.COM

WWW.VADO.COM/AXCES

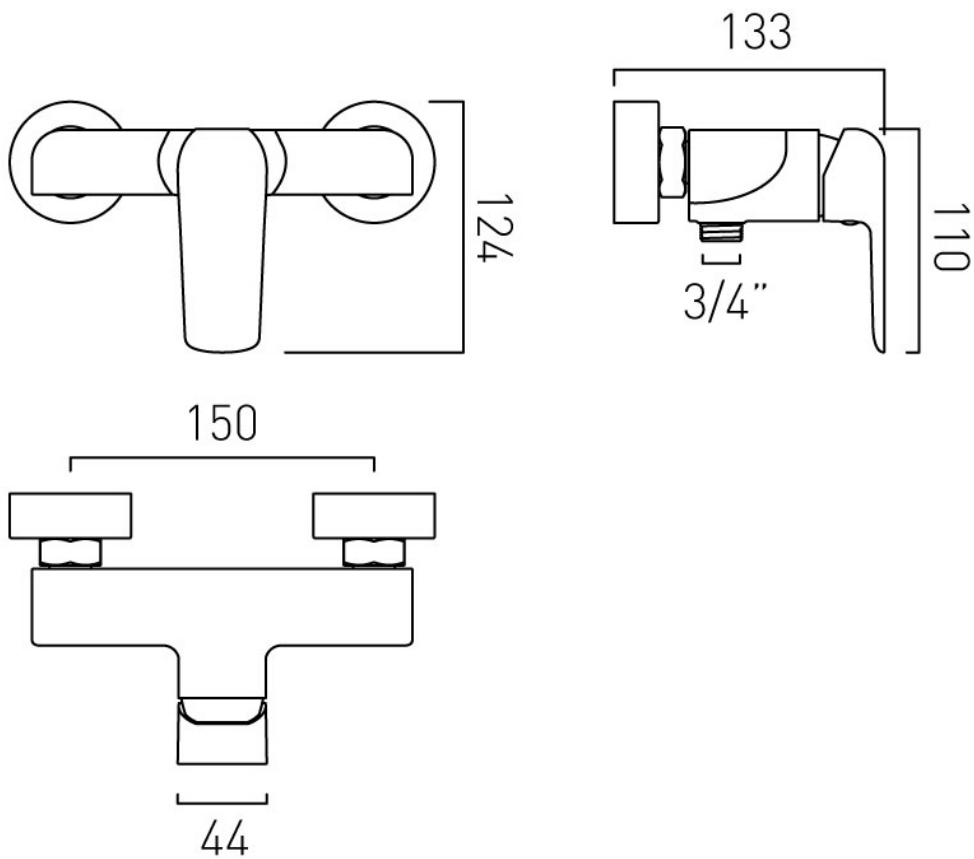
AXCES
by VADO

.....

TECHNICAL DRAWING

COLLECTION: VALA

PRODUCT CODE: AX-VAL-149-CP



CONTACT

SALES: 01934 744466

AFTERSALES: 01934 745163

EMAIL: SALES@VADO.COM

WWW.VADO.COM/AXCES

AXCES
by VADO