

.....

SPECIFICATION SHEET

COLLECTION: NURI
PRODUCT CODE: AX-NUR-145A-CP



DESCRIPTION:

concealed 1 outlet shower valve
single lever
wall mounted
with round backplate
ceramic cartridge W-001-N35
2 x 1/2" female inlets
2 x 1/2" female outlets (one is blanked off)
min-max wall mount 40-65mm
minimum operating pressure 0.2 bar LP shower / 1.5 bar MP bath

FINISH:

Chrome

MINIMUM OPERATING PRESSURE:

Shower: 0.2 bar LP, Bath: 1.5 bar MP

FLOW RATE AT 3.0 BAR FLOW PRESSURE:

23.7 l/m



CONTACT

SALES: 01934 744466

AFTERSALES: 01934 745163

EMAIL: SALES@VADO.COM

WWW.VADO.COM/AXCES

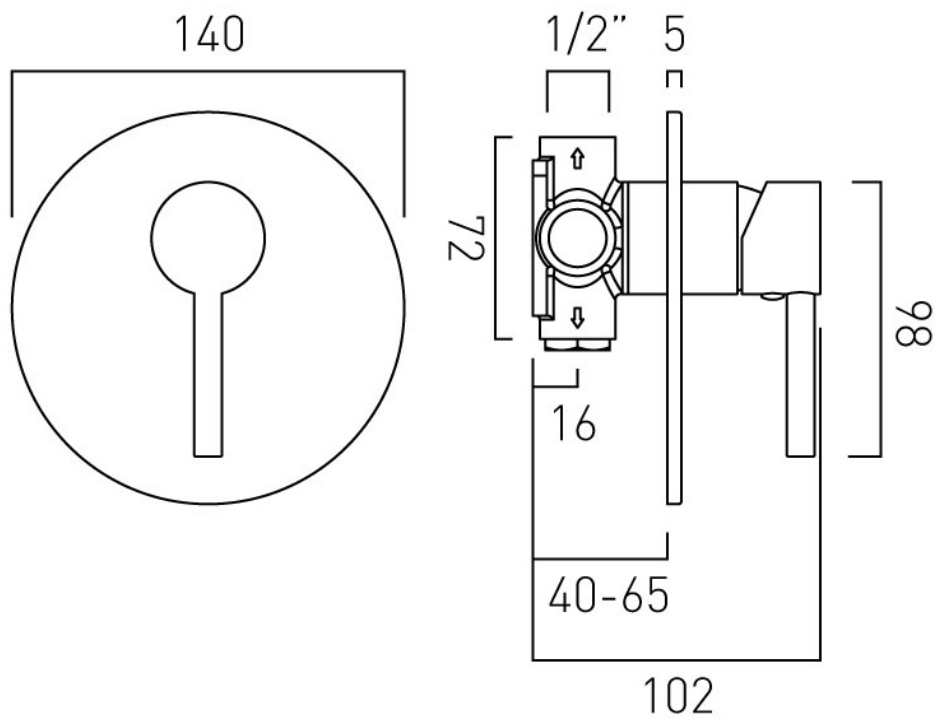
AXCES
by VADO

.....

TECHNICAL DRAWING

COLLECTION: NURI

PRODUCT CODE: AX-NUR-145A-CP



CONTACT

SALES: 01934 744466

AFTERSALES: 01934 745163

EMAIL: SALES@VADO.COM

WWW.VADO.COM/AXCES

AXCES
by VADO